



# SM550 / SM560

Manual V1.4

**SLIGER**  
PC CASES. MADE IN THE USA.

# SCREWS

The SM550/560 comes with a total of 3 different screws types. For the purposes of this guide we will assign a unique color and type number to each of the screw to signify their locations in this guide.

## Type 1- M3x6 PAN HEAD

Installation of PCIe Cards



## Type 2- M3x5 FLAT HEAD

Chassis Top Assembly, Rear AC Inlet, SSDs (on SSD bracket)



## Type 3- M3.5 TRUSS HEAD

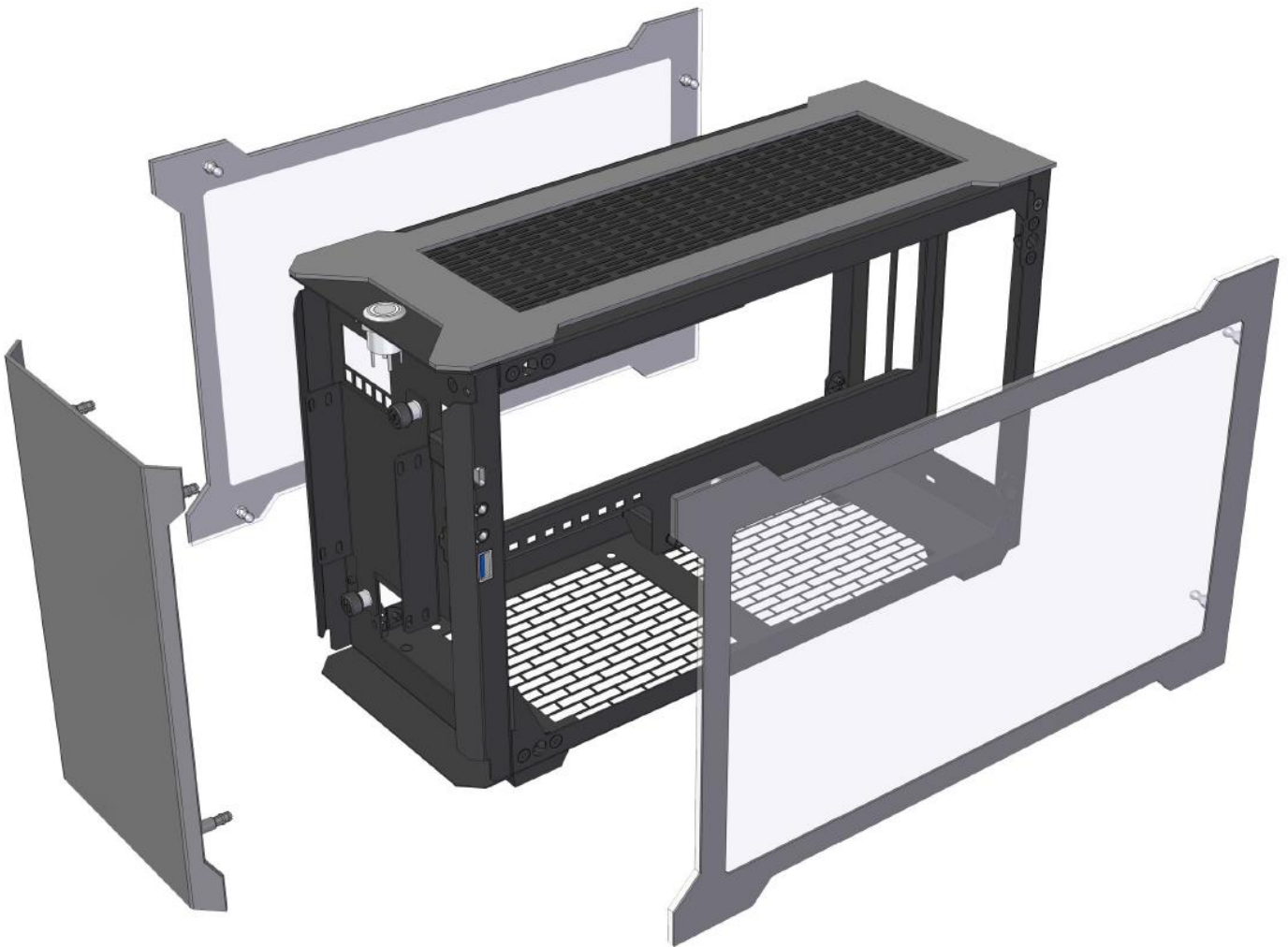
Motherboard and Power Supplies



# EASY OFF PANELS

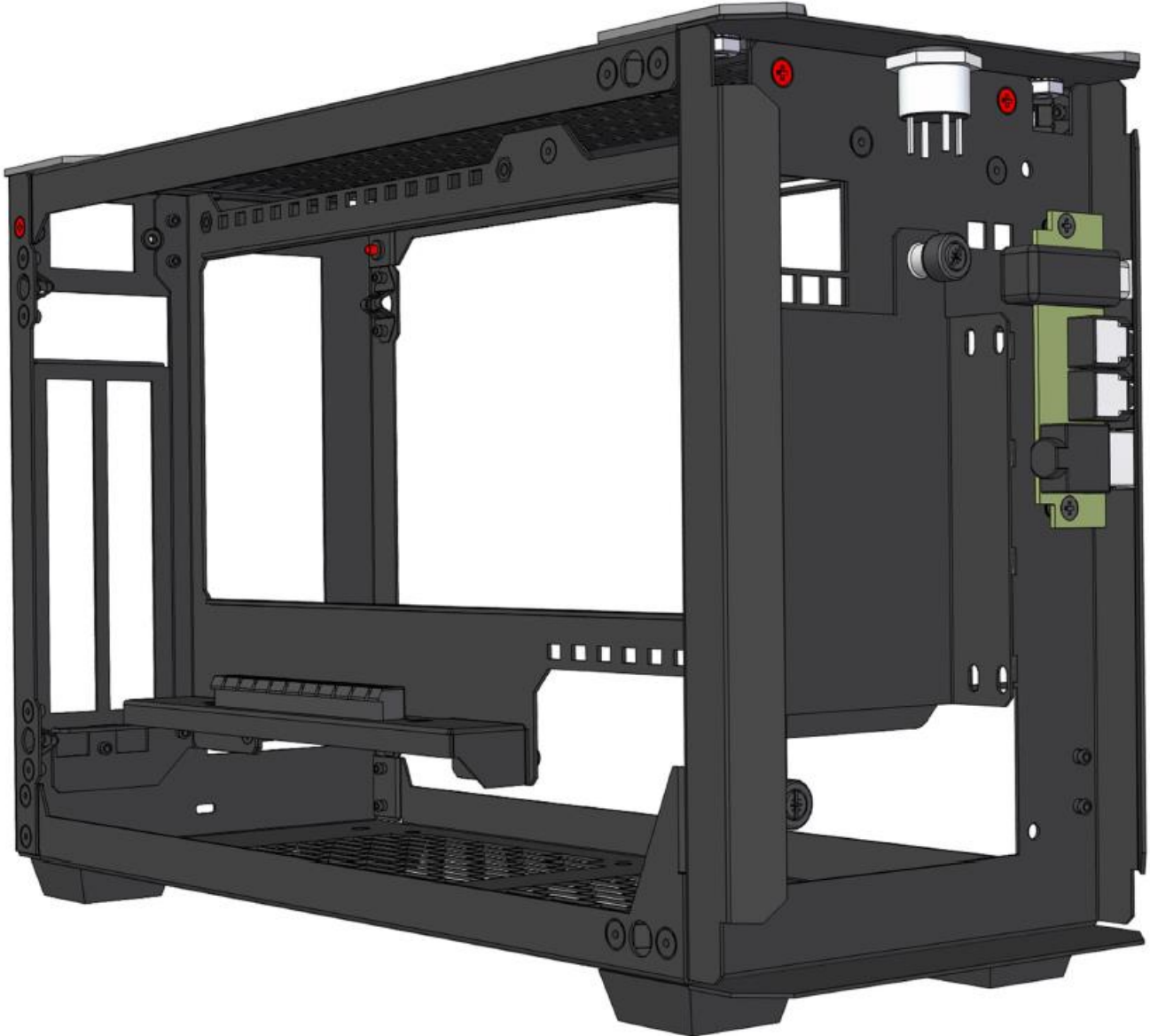
The front and side panels (vented, unvented, and window) all have tool-less removal via their ball-stud mounting points. Careful, panels may be very tight on the first few times on/off.

**CAUTION:** the top panel is not mounted via ball-studs, see next page.



Please note that side panels are reversible to either side. Front Panel can be reversed to top/bottom orientation.

# TOP PANEL



The top panel on the SM550 / SM560 is held on via **Type 2 M3 flat head screws**, each with a Phillips #1 head.

Note when re-installing: the top panel has the metal flange on the front, this flange must wedge between the front of the case and the middle rib. Screw holes on front may require some effort to properly align.

# BOTTOM FANS

**BOTTOM FANS ARE RECOMMENDED TO BE INSTALLED FIRST.**

You may run into troubles getting them into the case if you install the PSU, motherboard, or GPU, before the fans. Make sure fans are set to blow air from bottom to top.



Fan mounting screws are not included – they are usually included with your fans or can be purchased separately from any major computer parts seller. Countersunk holes are for KB5 head types of screws.

Dust filters made by Demci-Filter are available upon request.

# MOTERBOARD



It is recommended to install your CPU, RAM, and CPU cooler onto your motherboard before placing the motherboard into the case. This is recommended because some CPU coolers are not easy to install, which is further complicated by the riser and middle rib inside the case. The motherboard is mounted with **Type 3-M3.5 TRUSS HEAD** screws.

# POWER SUPPLY

It is recommended to install the PSU with two screws, and remove as necessary for cable management. Up to 6x **Type 3-M3.5 TRUSS HEAD** screws may be used to install the SFX PSU into its bracket. The power cord is best not to be installed yet, it will block GPU installation.



**NOTE:** Please test your system without the riser connected first, and again with it connected before installing your GPU!

# GRAPHICS CARD



PCIe cards are secured with up to **3x Type 1 M3x6 PAN HEAD**.

**NOTE:** Taller GPUs will require the pigtail style power cord mount, as shown at left. Standard mount is shown below.

Please note, that the power cord must be removed prior to installing the GPU. The power cord is mounted with **Type 2 M3 flat head screws**. **DO NOT** apply heavy torque to the power cord screws, it may break the plastic of the IEC C13 inlet housing.





Technical Specifications					
<b>Motherboard</b>	Mini-ITX (170 x 170mm)				
<b>CPU Air Coolers</b>	Maximum of 55mm tall CPU coolers SEMI-PASSIVE MODE: these heatsinks require Unvented or Window panels, and two high static pressure 120mm fans				
<b>AIO Liquid Cooler</b>	<b>(SM550/560)92mm Asetek 645LT</b> Requires 92mm AIO adapter plate <b>(SM560)120mm AIO liquid coolers</b> Requires 120mm AIO kit CPU pump block / coolant hoses must be < 55mm tall from CPU Limits GPU length to 187mm long				
<b>Fan Mounting</b>	<b>2x 120mm Fans</b> Fans can be a maximum of 25mm thick, high static pressure fans recommended Recommended airflow is bottom intake, top exhaust				
<b>PCIe Cards</b>	<table border="0"> <thead> <tr> <th style="text-align: center;"><b>SM550</b></th> <th style="text-align: center;"><b>SM560</b></th> </tr> </thead> <tbody> <tr> <td>Supports two(2) slot wide cards with room between side panel and card for airflow Card is mounted behind motherboard on a PCIe 3.0 16x Flexible Ribbon Riser with Standard Inlet Maximum card height: 133mm Maximum card length: 300mm Maximum card width: 2 slots, up to 50mm with Pigtail Inlet (recommended for MSI and ZOTAC cards) Maximum card height: 157mm Maximum card length: 300mm Maximum card width: 2 slots, up to 50mm 157mm of height for GPU power connectors regardless of power cord option</td> <td>Supports three (3) slot wide cards with room between side panel and card for airflow Card is mounted behind motherboard on a PCIe 3.0 16x Flexible Ribbon Riser with 120mm AIO kit Maximum card length: 187mm with Standard Inlet Maximum card height: 133mm Maximum card length: 305mm Maximum card width: 67mm with Pigtail Inlet (recommended for MSI and ZOTAC cards) Maximum card height: 157mm Maximum card length: 305mm Maximum card width: 67mm 157mm of height for GPU power connectors regardless of power cord option. Bifurcation riser limits the outer PCIe 16x 2.0 slot to 2 slots wide, and inner slot to a single slot card. Bifurcation outer slot maximum card width: 47mm</td> </tr> </tbody> </table>	<b>SM550</b>	<b>SM560</b>	Supports two(2) slot wide cards with room between side panel and card for airflow Card is mounted behind motherboard on a PCIe 3.0 16x Flexible Ribbon Riser with Standard Inlet Maximum card height: 133mm Maximum card length: 300mm Maximum card width: 2 slots, up to 50mm with Pigtail Inlet (recommended for MSI and ZOTAC cards) Maximum card height: 157mm Maximum card length: 300mm Maximum card width: 2 slots, up to 50mm 157mm of height for GPU power connectors regardless of power cord option	Supports three (3) slot wide cards with room between side panel and card for airflow Card is mounted behind motherboard on a PCIe 3.0 16x Flexible Ribbon Riser with 120mm AIO kit Maximum card length: 187mm with Standard Inlet Maximum card height: 133mm Maximum card length: 305mm Maximum card width: 67mm with Pigtail Inlet (recommended for MSI and ZOTAC cards) Maximum card height: 157mm Maximum card length: 305mm Maximum card width: 67mm 157mm of height for GPU power connectors regardless of power cord option. Bifurcation riser limits the outer PCIe 16x 2.0 slot to 2 slots wide, and inner slot to a single slot card. Bifurcation outer slot maximum card width: 47mm
<b>SM550</b>	<b>SM560</b>				
Supports two(2) slot wide cards with room between side panel and card for airflow Card is mounted behind motherboard on a PCIe 3.0 16x Flexible Ribbon Riser with Standard Inlet Maximum card height: 133mm Maximum card length: 300mm Maximum card width: 2 slots, up to 50mm with Pigtail Inlet (recommended for MSI and ZOTAC cards) Maximum card height: 157mm Maximum card length: 300mm Maximum card width: 2 slots, up to 50mm 157mm of height for GPU power connectors regardless of power cord option	Supports three (3) slot wide cards with room between side panel and card for airflow Card is mounted behind motherboard on a PCIe 3.0 16x Flexible Ribbon Riser with 120mm AIO kit Maximum card length: 187mm with Standard Inlet Maximum card height: 133mm Maximum card length: 305mm Maximum card width: 67mm with Pigtail Inlet (recommended for MSI and ZOTAC cards) Maximum card height: 157mm Maximum card length: 305mm Maximum card width: 67mm 157mm of height for GPU power connectors regardless of power cord option. Bifurcation riser limits the outer PCIe 16x 2.0 slot to 2 slots wide, and inner slot to a single slot card. Bifurcation outer slot maximum card width: 47mm				
<b>GPU Heatsinks</b>	Accelero Xtreme III MORPHEUS II (requires unvented/window side panels and high static pressure fans)				
<b>Storage</b>	(2x) 2.5" SSD/HDD mounting points behind front panel Optional (4x) 2.5" SSD/HDD mount bracket [replaces 1x 120mm bottom fan] Maximum two brackets for total of 8x 2.5" SSD/HDDs Optional (1x) 3.5" HDD mount bracket [replaces 1x 120mm bottom fan] Maximum two brackets for (2x) 3.5" HDD in bottom of case				
<b>Front connection</b>	(One USB 3.1 Gen 2 Type C to USB E header (SS+ 10 Gbit/s))				

	One USB 3.0 Type A to 20-Pin Motherboard Header Two Audio Jacks to standard 9-Pin HD AUDIO header	
<b>Security</b>	1x Kensington Lock Cutout	
<b>Power Supply</b>	SFX SFX-L is supported; however, it is a very tight fit and not recommended. Sliger recommends a fan guard grill or custom cables if you do go with SFX-L. It is recommended to mount your PSU with the fan intake facing the GPU for best thermals.	
<b>Material</b>	Chassis: Galvanized Steel Side Panels: Aluminum Sheet Feet: Black SBR	
<b>Finish</b>	Powder coated coating	
<b>Outside Dimensions</b>	<b>SM550</b> 335mm x 159mm x 208mm (LxWxH)	<b>SM550</b> 335mm x 139mm x 208mm (LxWxH)
<b>Weight</b>	6.4 lbs / 2.90 kg (Base configuration)	
<b>Rev. Control</b>	<b>See Data Sheet</b>	
<b>Info</b>		
<b>Manufacturer</b>		<b>Importer</b>

# SLIGER

**Sliger Designs Inc.**

1575 Linda Way, Suite 107

Sparks, NV 89431, USA

+1 775 356 5595a

[www.sliger.com](http://www.sliger.com)



DENSITY LABS s.r.o.

Veterná ulica 759/37

SK-90067 Láb, Slovakia

[www.DENSITY.sk](http://www.DENSITY.sk)



Sliger Designs Inc. and Density Labs s.r.o. declare that this equipment is in compliance with Low Voltage Directive 2014/34/EU according to the standard EN 62368-1:2014. Copy of the original declaration may be obtained at [info@density.sk](mailto:info@density.sk).

© 2019 Density Labs s.r.o. and Sliger Designs Inc. All rights reserved. DENSITY logo is a property of Density Labs s.r.o. in Slovakia and/or in other countries. All other trademarks are the property of their respective owners. Product may vary slightly from pictures in this document. Specifications and/or features may be subject to change without prior notice.